

Features

- Open-front seat without lid.
- Self-sustaining check hinge prevents slamming with check hinge functionality.
- An integrated handle allows the user to easily raise and lower the ring.
- Antimicrobial agent inhibits growth of odor-causing bacteria, mold, and mildew. This product does not protect users against bacteria, viruses, or other disease organisms. Always clean and wash this product thoroughly before and after each use.

Material

- Plastic construction.



Codes/Standards

None Applicable

KOHLER® One-Year Limited Warranty

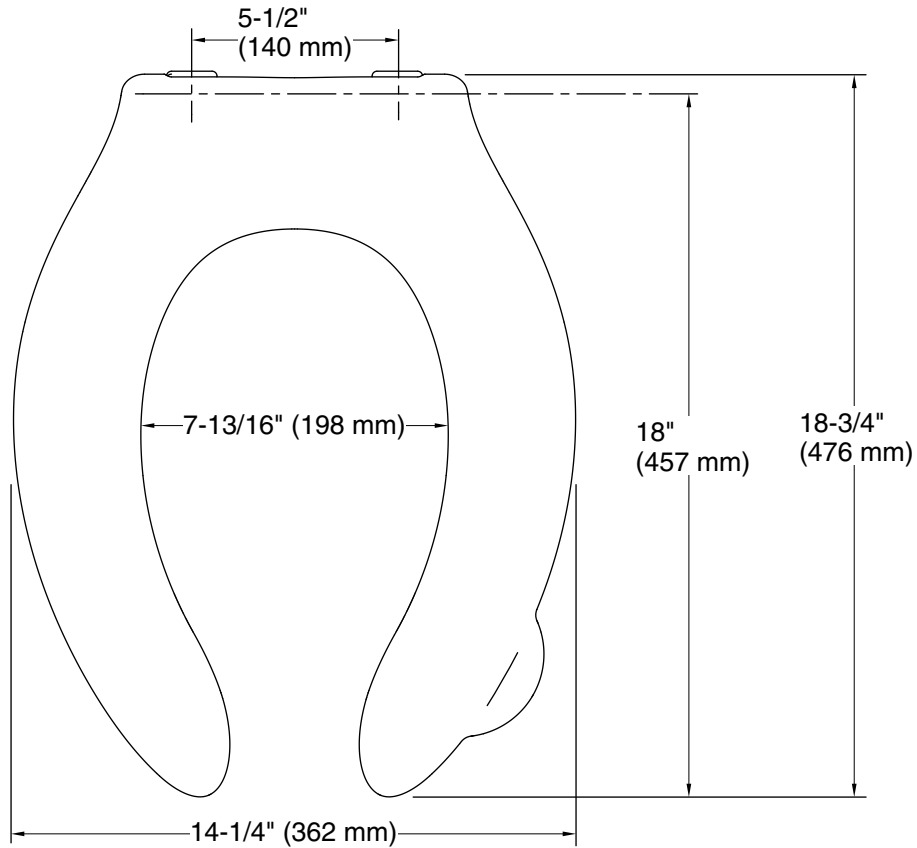
See website for detailed warranty information.

Available Colors/Finishes

Color tiles intended for reference only.

Color	Code	Description
-------	------	-------------

	0	White
---	---	-------



Technical Information

All product dimensions are nominal.

Seat shape type: Elongated
Seat front type: Open-front
Seat hinge type: Check, Self-sustaining
Seat-mounting holes: 5-1/2" (140 mm)

Notes

Install this product according to the installation guide.